



IKT

Internal Taper Gauges

AKT

External Taper Gauges

KT+KTB

Chamfer Gauges



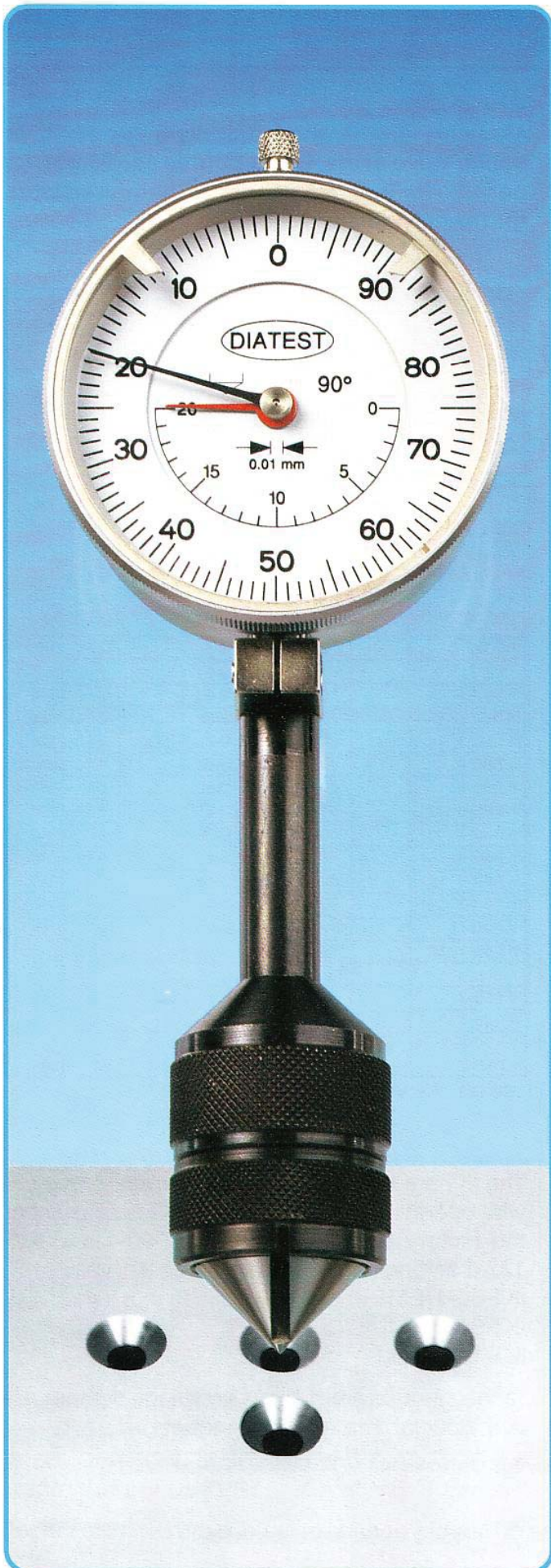
Jean Louis MENEGON

Représentant et Conseiller
Région Sud Ouest

Tel : 06 76 08 96 83

Email: jlouismenegon@aol.com

www.menegon-metrologie.com





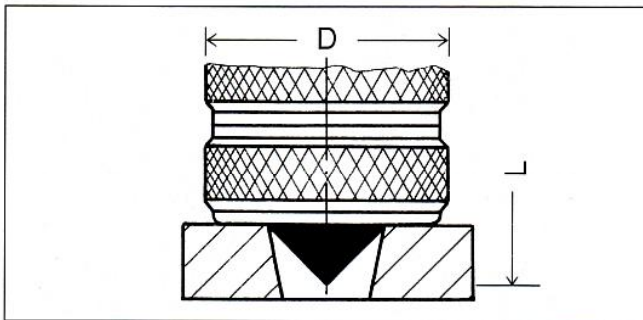
IKT

Internal Taper Gauges

Replacing previous slower and more expensive gauging methods, the IKT inspects instantly and accurately the major diameter of tapered holes and major width of tapered slots.

Use 60° IKT for hole taper 60° or less.
 Use 90° IKT for hole taper 90° or less.
 Use 127° IKT for hole taper greater than 90° but not greater than 127°.

Principle

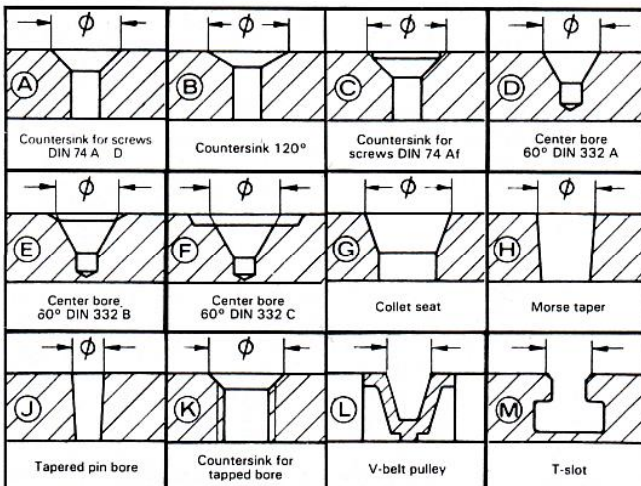


Merely introduce the tapered plunger of the gauge into the hole or slot, press gauge firmly and evenly against the surface of the part and read diameter or width directly on the clearly graduated dial.
 Graduation of DIAL: 0,01 mm.

Measure directly the major diameter of: Rivet seats, Valve seats, Center bores and Morse taper also for Tapered slots and Chamfered slots the major width.

Order Code	Taper	Range in mm	Application	D	L
IKT-90-1	90°	0.5-20	A, B, G-M	27	155
IKT-90-2		20-40	A, B, G-M	47	146
IKT-90-3		40-60	A, B, G-M	67	146
IKT-90-4		60-80	A, B, G-M	87	146
IKT-90-5		80-100	A, B, G-M	107	146
IKT-90-6		100-120	A, B, G-M	127	146
For countersinks DIN 74 Af					
IKT-90-7	90°	M1.5-2-3-5-6-8-10		27	155
IKT-90-8		M12-14-16-18-20		57	146
IKT-127-1	127°	0.5-20	B	27	150
IKT-127-2		20-40	B	47	141
IKT-127-3		40-60	B	67	141
IKT-127-4		60-80	B	87	141
IKT-127-5		80-100	B	107	141
IKT-127-6		100-120	B	127	141
IKT-60-1	60°	0.5-12	D-F	27	155
IKT-60-2		10-20.5	D-F	27	155
IKT-60-3		20-31	D-F	47	146
IKT-60-4		30-40.5	D-F	47	146
IKT-60-5		40-51	D-F	67	146
IKT-60-6		50-60.5	D-F	67	146
IKT-60-7		60-71	D-F	87	146
IKT-60-8		70-80.5	D-F	87	146
IKT-60-9		80-91	D-F	107	146
IKT-60-10		90-100.5	D-F	107	146
IKT-60-11		100-111	D-F	127	146
IKT-60-12		110-120.5	D-F	127	146
Range inch					
IKT-90-Z-1	90°	.02" - .8"	A, B, G-M	27	155
IKT-90-Z-2		.8" - 1.6"	A, B, G-M	47	146
IKT-90-Z-3		1.6" - 2.4"	A, B, G-M	67	146
IKT-90-Z-4		2.4" - 3.1"	A, B, G-M	87	146

Applications



The IKT are shipped in wooden boxes, complete with operating instructions. The IKT is zero-set at the factory and for IKT-60-1, IKT-90-1 and IKT-127-1 setting units can be ordered as follows:
 IKT-60-1-EM
 IKT-90-1-EM
 IKT-127-1-EM

Tech. changes are subject to change without notice. Special diameter D on request.

Jean-Louis MENEGON
 Représentant & conseiller Sud Ouest

tél: 06.76.08.96.83 - mail: jlouismenegon@aol.com
 site web: www.menegon-metrologie.com



Measure directly smallest diameter of taper, see sketch below.

AKT

External Taper Gauges

Order Code	Taper	Range in mm	Application	D	L
AKT-90-1	90°	5-20	N+O	27	155
AKT-90-2		20-40	N+O	47	146
AKT-90-3		40-60	N+O	67	146
AKT-90-4		60-80	N+O	87	146
AKT-90-5		80-100	N+O	107	146
AKT-90-6		100-120	N+O	127	146
AKT-127-1	127°	5-20	N+O+P	27	150
AKT-127-2		20-40	N+O+P	47	141
AKT-127-3		40-60	N+O+P	67	141
AKT-127-4		60-80	N+O+P	87	141
AKT-127-5		80-100	N+O+P	107	141
AKT-127-6		100-120	N+O+P	127	141
AKT-60-1	60°	5-12	O	27	155
AKT-60-2		10-20	O	27	155
AKT-60-3		20-31	O	47	146
AKT-60-4		30-40	O	47	146
AKT-60-5		40-51	O	67	146
AKT-60-6		50-60	O	67	146
AKT-60-7		60-71	O	87	146
AKT-60-8		70-80	O	87	146
AKT-60-9		80-91	O	107	146
AKT-60-10		90-100	O	107	146
AKT-60-11		100-111	O	127	146
AKT-60-12		110-120	O	127	146
		Range inch			
AKT-90-Z-1	90°	.2" - .8"	N+O	27	155
AKT-90-Z-2		.8" - 1.6"	N+O	47	146
AKT-90-Z-3		1.6" - 2.4"	N+O	67	146
AKT-90-Z-4		2.4" - 3.1"	N+O	87	146

The gauging principle is similar to that of IKT. Place plunger, the inverted taper, over shaft end to be measured, press down firmly and evenly against part and read diameter directly on the clearly graduated dial.

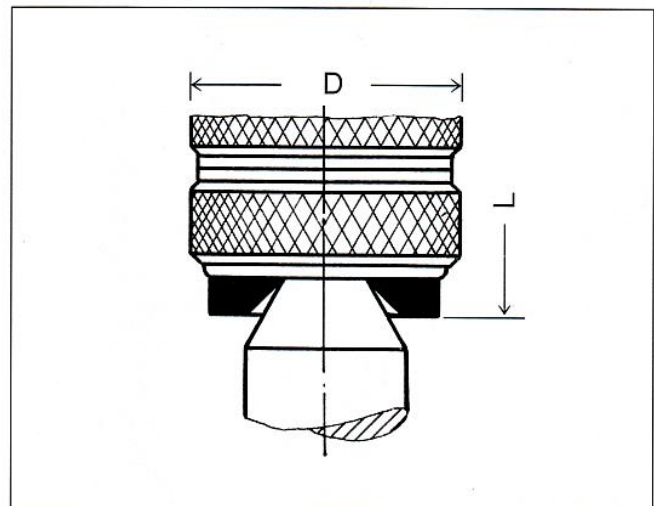
Graduation of DIAL: 0,01 mm.

Use AKT-60 for taper 60° or less.

Use AKT-90 for taper 90° or less.

Use AKT-127 for taper more than 90° but less than 127°.

Principle



The gauges are zero-set at the factory and no setting masters are required.

The gauges will be shipped in wooden boxes including operating instructions.

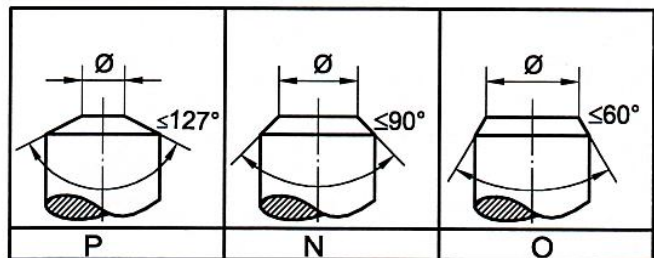


Please ask your DIATEST dealer for more information about the DIATEST product line.

BMD, DIATRON, DIGITRON and DIACATOR are trade marks of DIATEST.

Techn. changes are subject to change without notice.

Applications



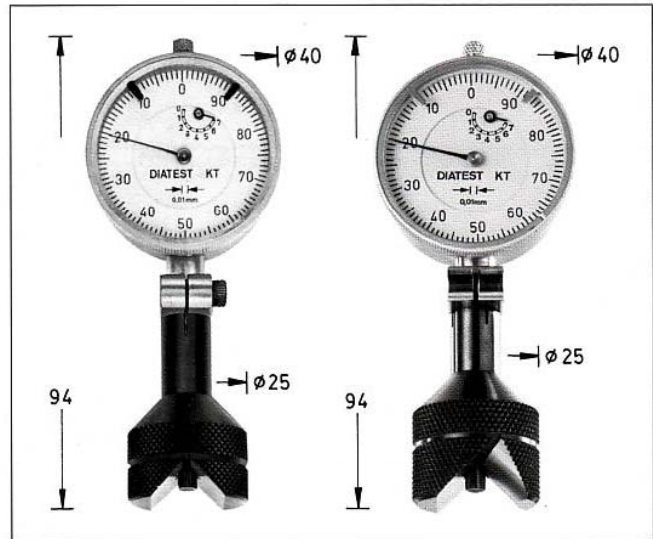
Jean-Louis MENEGON

Représentant & conseiller Sud Ouest

tél: 06.76.08.96.83 - mail: jlouismenegon@aol.com
site web: www.menegon-metrologie.com

KT + KT-B

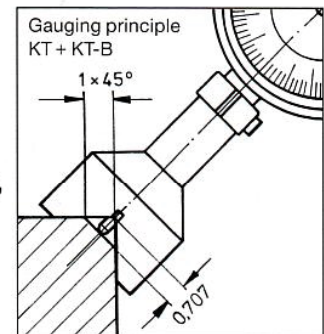
Chamfer Gauges



Measure directly 45° chamfers on rectangular and cylindrical work, even bores or slots. Also compare other than 45° chamfers, measure corner radii (with conversion charts) and inspect cylindrical roundness.

Applications

KT: A+B (r=1-9,5mm), C+D(0-7mm), F for slots larger than 16 mm
 KT-B: A+B (r=1-9,5mm), C+D(=7mm), E for bores larger than Ø 33mm and F for slots larger than 18mm.



A	B	C	D	E	F
Radius on rectangular work	Radius on cylindrical work	45° chamfer rectangular work	45° chamfer cylindrical work	45° chamfer in bores	45° chamfer in slots

Jean Louis MENEGON

Représentant et Conseiller

Région Sud Ouest

Tel : 06 76 08 96 83

Email: jlouismenegon@aol.com

www.menegon-metrologie.com